

Technical data sheet

Surge protection for high-speed networks up to 10 GBit (Class EA/CAT6A)
Art.-Nr. 5081800



Data cable protection device for high-speed networks

- Protection class: Fine protection
- High-quality RJ45 sockets
- Low protection level at high current load
- Earthing via DIN rail or connection cable
- Support of Power over Ethernet ++ (PoE++/4PPoE) to 1 A in accordance with IEEE 802.3
- Tested transmission quality in networks up to 10 GBit/s (Class EA) or CAT6
- Rapid installation through plug-in version
- Incl. DIN rail fastening set and earthing cable

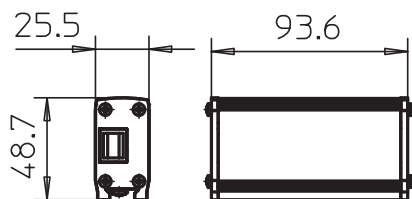
Application example: 10 GBit Ethernet, 10/100 MBit Ethernet, PoE applications, IP camera systems, ISDN S0 interfaces



Additional product text 1

- High-quality RJ45 sockets
- Support for Power over Ethernet + to 1 A
- Tested transmission quality in networks up to 10 GBit (Class EA) or CAT6A
- Rapid installation through connectable design
- Including fastening set for mounting on the hat rail

Dimensions



Master data

Item no.	5081800
Type	ND-CAT6A/EA
Description 1	Net Defender
Description 2	for Class EA / CAT6A
Dimension	58V
Smallest sales unit	1,00 Piece
Weight	16,60 kg/100 pc.

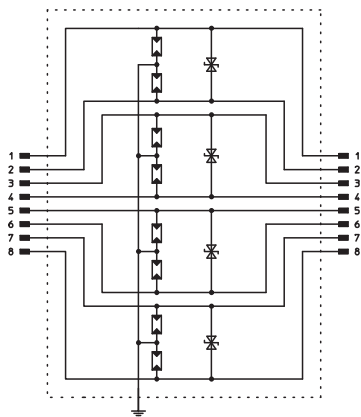
Technical data sheet

Surge protection for high-speed networks up to 10 GBit (Class EA/CAT6A)

Art.-Nr. 5081800



Technical data



Category	Type 2+3 / C2+C1
SPD to IEC 61643-21	Class II+III / C2+C1
Version	Fine protection, 8 wires + shield
Number of poles	8,00
Channel performance ISO/IEC	Class EA
Channel performance Ansi/EA	CAT 6A
Insertion loss	≤3 dB
Earthing via:	Connection cable / DIN rail
Explosion-tested version	<input type="checkbox"/>
Telecommunications contact	<input type="checkbox"/>
Total discharge current (8/20)	7 kA
Frequency range	>500 MHz
Maximum continuous voltage AC	41,00 V
Maximum continuous voltage DC	58,00 V
Lightning protection zone LPZ	1→3
Rated current	1,00 A
Installation type	Connector/cable adapter
Testing standard	IEC 61643-21
Shielding connection available	Yes
Shield connection	Direct
Protection rating	IP10
Protection level wire-wire	<120 V
Protection level wire-earth	<700 V
Connection system	RJ45 8(8)
Impulse durability wire-wire	C1: 0,3 kV / 0,15 kA (8/20μs)
Impulse durability wire-earth	C2: 2 kV / 1 kA (8/20μs)
Temperature range	-40+80 °C