

Technical data sheet

Trunking connector and joint cover

Item number: 6113022



Joint cover for the bases of the Rapid 45-2 device installation trunking to hide cut edges and provide a perfect connection of the trunking segments. The joint covers are attached. Suitable for trunking width 100 mm and 165 mm.



PC/ABS Polycarbonate/Acrylnitrile-butadiene-styrene

Master data

Item number	6113022
Type	GK-KS45-1LGR
Description 1	Joint cover
Description 2	for Rapid 45-2 100 and 165
Manufacturer	OBO
Dimension	168x55x15
Colour	Light grey; RAL 7035
Material	Polycarbonate/acrylonitrile butadiene styrene
Smallest sales unit	6
Unit of quantity	Units
Weight	0,861 kg
Weight unit	kg/100 pairs

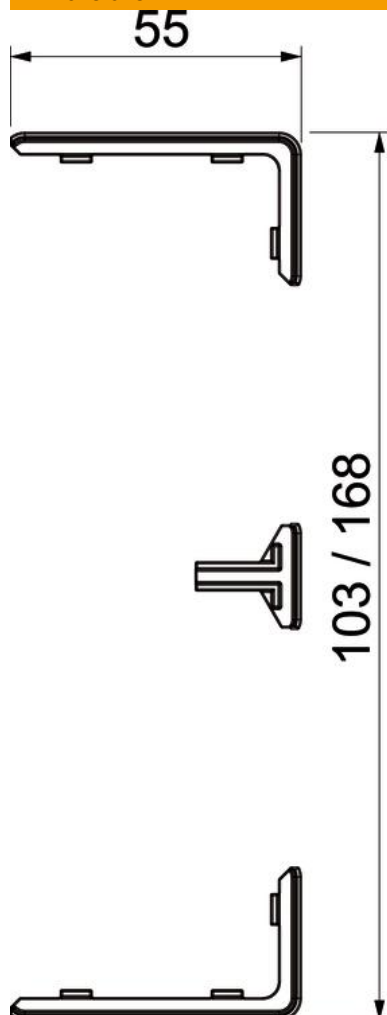
Technical data sheet

Trunking connector and joint cover

Item number: 6113022



Dimensions



Length	15 mm
Width	55 mm
Height	27 mm

Technical data sheet

Trunking connector and joint cover

Item number: 6113022



Technical specifications

Version for	Duct cut cover
Fastening type	Slide (before mounting)
Shape	Symmetrical
for duct width	100,17 mm
for trunking height	53 mm
Halogen-free	yes
Cover width	45 mm
Protection rating	IP40
Protection rating IK code	IK08
Permitted temperature range, max.	60 °C
Permitted temperature range, min.	-15 °C