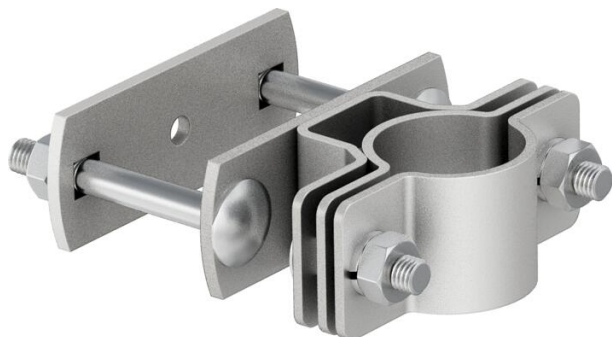


# Technical data sheet

isFang support for corner pipe mounting, 50 x 50 mm

Item number: 5408964



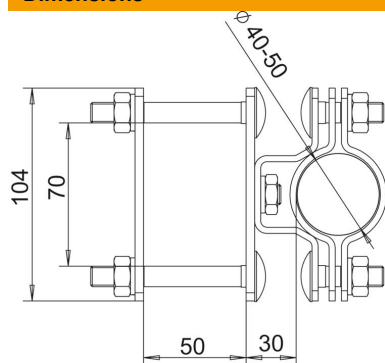
Fastening clip to fasten the insulated support pipes on the structure to be protected or for construction-side corner pipes of 50x50mm.

**A2** Stainless steel

## Master data

Item number	5408964
Type	isFang TS50x50
Description 1	isFang support
Description 2	for corner pipe mounting
Manufacturer	OBO
Dimension	50x50mm
Material	Stainless steel, rustproof 1.4301
Smallest sales unit	2
Unit of quantity	Units
Weight	82 kg
Weight unit	kg/100 pairs

## Dimensions



Dimension d min.	50 mm
Dimension L	30 mm

## Technical specifications

Fit	50x50 mm
-----	----------