

Technical data sheet

Mushroom-shaped interceptor with connectors

Item number: 5405769



- Mushroom-shaped interceptor from aluminium
- With pre-mounted cross-piece and hexagonal bolt M8 x 25, hot-dip galvanised steel
- For round conductor Rd 8-10 and flat conductor FL 30



- St** Steel
- FT** Hot-dip galvanised

Master data

Item number	5405769
Type	128 F
Description 1	Mushroom-shaped interceptor
Manufacturer	OBO
Dimension	50-60mm
Material	Steel
Surface	Hot-dip galvanised
Surface standard	DIN EN ISO 1461
Smallest sales unit	5
Unit of quantity	Units
Weight	40 kg
Weight unit	kg/100 pairs

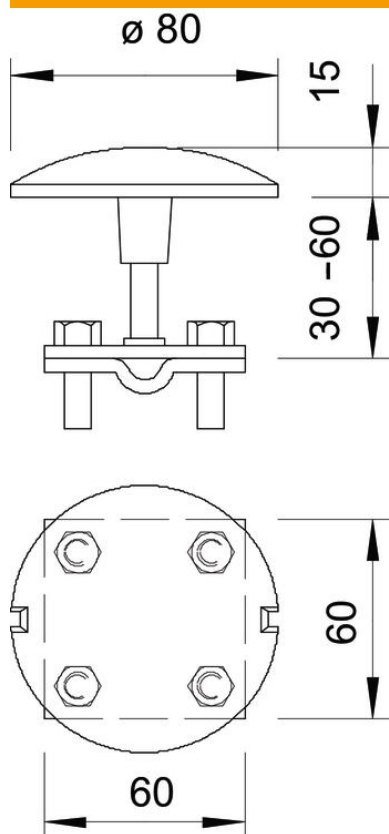
Technical data sheet

Mushroom-shaped interceptor with connectors

Item number: 5405769



Dimensions



Dimension d min. | 80 mm

Technical specifications

Connection	Round conductor
Version for	Mushroom-shaped interceptor
Fit	Rd 8-10/ FL30 mm