

Technical data sheet

Interception rod holder for sloping roof

Item number: 5403335



Stand system: rod holder for sloping roofs, for simple, quick and secure fastening of \varnothing 16 mm interception rods.

- System consists of a bracket made of V2A stainless steel
- Quick and easy mounting
- Adjustable angle
- In the case of high interception rods (> 1 m), additional fastening with insulated spaces is necessary

A2 Stainless steel

Master data

Item number	5403335
Type	SD-Fix
Description 1	Rod holder
Description 2	for sloping roofs
Manufacturer	OBO
Dimension	Rd16
Material	Stainless steel, rustproof 1.4301
Smallest sales unit	1
Unit of quantity	Units
Weight	81 kg
Weight unit	kg/100 pairs

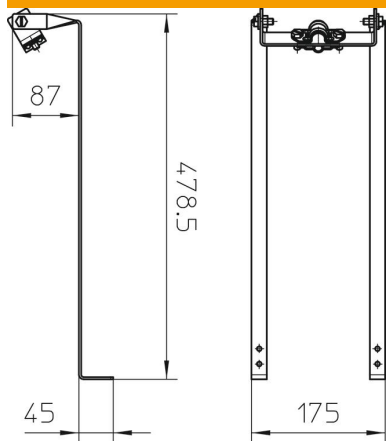
Technical data sheet

Interception rod holder for sloping roof

Item number: 5403335



Dimensions



Length	478,5 mm
Dimension d min.	16 mm

Technical specifications

Holder fastening type	Drill hole
Rod fastening type	With screw clip
Material of the base	Stainless steel, rustproof 1.4301