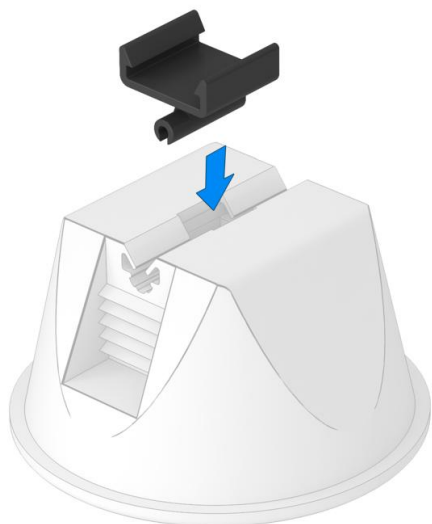


Technical data sheet

Flat conductor adapter for roof cable holder, type 165/MBG

Item number: 5218885



- Flat conductor holder FL 30 x 3.5 mm
- For fastening to 165/MBG in fit Rd 8

PP Polypropylene

Master data

Item number	5218885
Description 1	Adapter for roof cable holder
Description 2	for flat conductors
Manufacturer	OBO
Dimension	30x3,5
Colour	Black
Material	Polypropylene
Smallest sales unit	12
Unit of quantity	Units
Weight	0,658 kg
Weight unit	kg/100 pairs
CO Footprint (GWP) Cradle-to-Gate	0,029 kg COe / 1 Piece

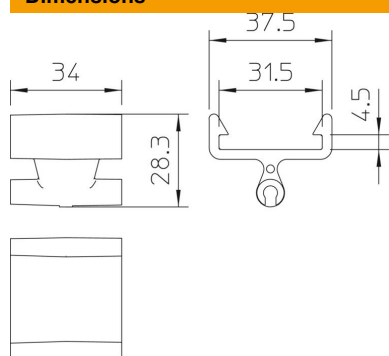
Technical data sheet

Flat conductor adapter for roof cable holder, type 165/MBG

Item number: 5218885



Dimensions



Technical specifications

Fit	FL 30x3,5 mm
Material of the holder	Plastic
Material of the support	Plastic