

# Technical data sheet

## Earthing clip, type 952

Item number: 5052092



- For pipes 1/2-2" or Ø 11.5-60 mm
- Connection options: conductors 16-70 mm<sup>2</sup> and/or round conductors to Rd 10 with captive pressure strip from stainless steel
- With 2 hexagonal bolts M6 x 16 and 2 hexagonal bolts M6 x 20 from hot-dip galvanised steel
- Top section of clip with cast contact point from die-cast zinc, bottom section of clip from hot-dip galvanised steel

- St** Steel
- FT** Hot-dip galvanised

### Master data

|                     |                    |
|---------------------|--------------------|
| Item number         | 5052092            |
| Type                | 952 Z 3/4          |
| Description 1       | Earthing clamp     |
| Description 2       | for steel strip    |
| Manufacturer        | OBO                |
| Dimension           | 3/4"               |
| Material            | Steel              |
| Surface             | Hot-dip galvanised |
| Surface standard    | DIN EN ISO 1461    |
| Smallest sales unit | 5                  |
| Unit of quantity    | Units              |
| Weight              | 26,78 kg           |
| Weight unit         | kg/100 pairs       |

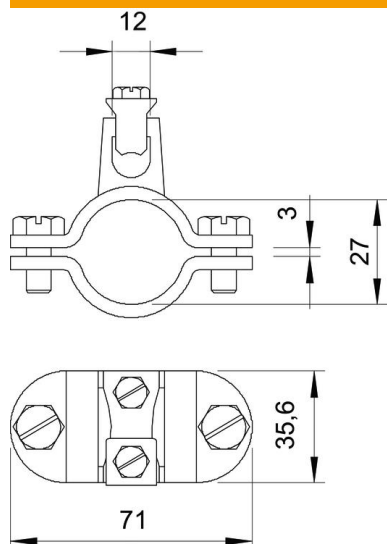
# Technical data sheet

## Earthing clip, type 952

Item number: 5052092



### Dimensions



|             |       |
|-------------|-------|
| Dimension A | 71 mm |
| Dimension D | 27 mm |
| Dimension X | 3 mm  |

### Technical specifications

|  |                    |
|--|--------------------|
| Number of conductors                         | 1                  |
| Cross-section of cable to be connected, max. | 70 mm <sup>2</sup> |
| Cross-section of cable to be connected, min. | 16 mm <sup>2</sup> |
| Clamping range D                             | 3/4                |
| Clamping range D, max.                       | 27 mm              |
| Clamping range D, min.                       | 24 mm              |