

Technical data sheet

Profile earthing rod connection with connecting lug

Item number: 5003016



- Cross-profile 50 x 50 x 3 mm
- With connecting strap
- 1 through hole \varnothing 13 mm
- 2 through holes \varnothing 11 mm
- Round cable fastening e.g. with type 5001 DIN-FT possible
- For the construction of earthing systems e. g. antenna or earthing of building site distribution boards

St Steel

FT Hot-dip galvanised

Master data

Item number	5003016
Type	213 1500 DIN
Description 1	Cross-earther
Description 2	with connecting strap
Manufacturer	OBO
Dimension	1500mm
Material	Steel
Surface	Hot-dip galvanised
Surface standard	DIN EN ISO 1461
Smallest sales unit	1
Unit of quantity	Units
Weight	364,5 kg
Weight unit	kg/100 pairs

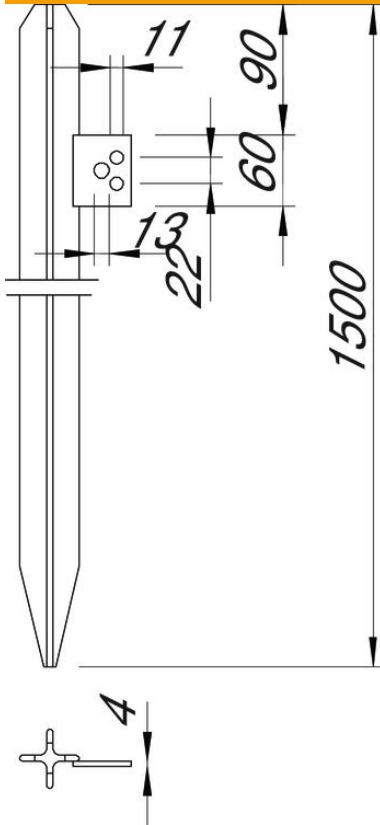
Technical data sheet

Profile earthing rod connection with connecting lug

Item number: 5003016



Dimensions



Length	1 500 mm
Dimension L	1 500 mm

Technical specifications

Version for	With connection strap
Profile type	Cross
Connection type	Miscellaneous