

Technical data sheet

Push-fit anchors for cable ties

Item number: 2351609



The push-fit anchor can accept a cable tie (type 550 or 555) up to 9 mm wide, which can be used to install several cables and pipes. Suitable for concrete, lime sand and brickwork as solid brick. Use in gas concrete masonry is possible, but reduced load capacities must be expected.



PA Polyamide

Master data

Item number	2351609
Type	910 STK 6x30
Description 1	Push-fit plug
Description 2	for cable ties
Manufacturer	OBO
Dimension	6x30mm
Colour	Light grey; RAL 7035
Material	Polyamide
Smallest sales unit	100
Unit of quantity	Units
Weight	0,108 kg
Weight unit	kg/100 pairs

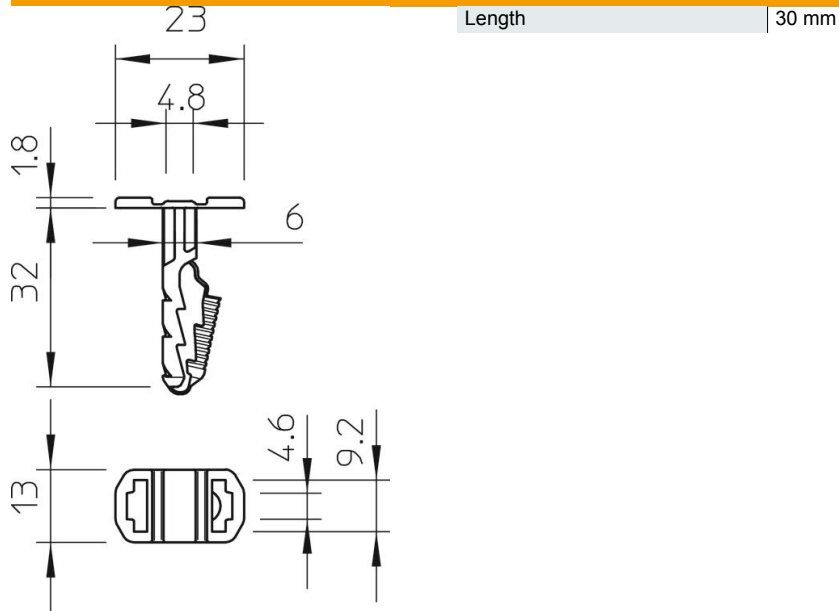
Technical data sheet

Push-fit anchors for cable ties

Item number: 2351609



Dimensions



Technical specifications

Version for	Push-fit anchor
Drill hole depth	35 mm
Drill hole diameter, min.	6 mm
Breaking load for concrete B25	260 N
Suitable for fastening with cable ties	yes
Suitable for gas concrete	yes
Suitable for hexagonal wood screw	no
Halogen-free	yes
With edge	yes
With screws	no