

Technical data sheet

Locknut, PG thread

Item number: 2091151



Locknuts, part M to DIN 46320 with Pg thread to DIN 40430. * Price according to DEL notation.



CuZn
37 Brass

N Nickel-plated

Master data

Item number	2091151
Type	169 MS PG16
Description 1	Locknut
Manufacturer	OBO
Dimension	PG16
Material	Brass
Surface	Nickel-plated
Surface standard	
Smallest sales unit	100
Unit of quantity	Units
Weight	0,46 kg
Weight unit	kg/100 pairs

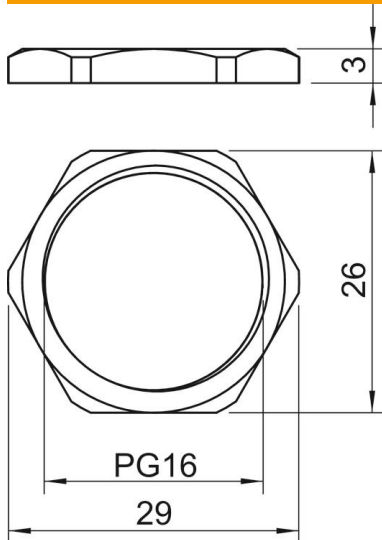
Technical data sheet

Locknut, PG thread

Item number: 2091151



Dimensions



Dimension E	29 mm
Dimension L	3 mm

Technical specifications

Thread	Pg_16
Thread type	Pg
Nominal thread size metric/PG	16
Fibre-glass reinforced	no
Halogen-free	no
Impact-resistant	no
WAF	26