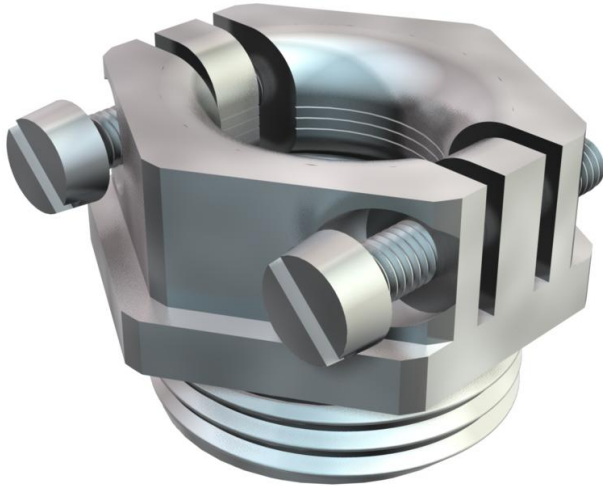


# Technical data sheet

## Pressure screw, PG strain relief

Item number: 2013134



Pressure screw with centrally acting transverse clip strain relief, rust-proof stainless steel screws.

With bend protection and strain relief.

\* Prices according to DEL notation.



**CuZn**  
37 Brass

**N** Nickel-plated

### Master data

Item number	2013134
Type	157 MS PG13.5
Description 1	Pressure screw
Description 2	with strain relief
Manufacturer	OBO
Dimension	PG13,5
Material	Brass
Surface	Nickel-plated
Surface standard	
Smallest sales unit	100
Unit of quantity	Units
Weight	2,2 kg
Weight unit	kg/100 pairs

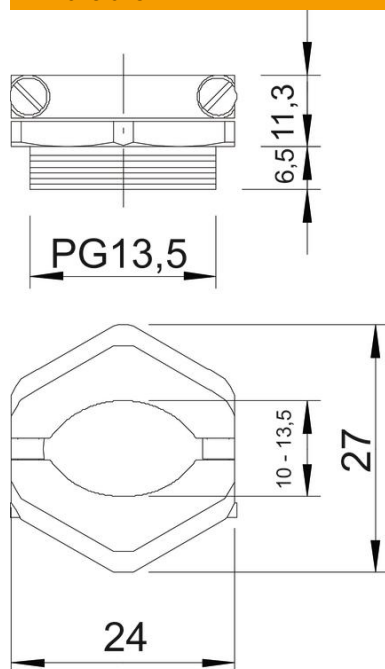
# Technical data sheet

## Pressure screw, PG strain relief

Item number: 2013134



### Dimensions



Dimension D	8 mm
Dimension E	27 mm
Dimension L1	6,5 mm
Dimension L2	11,3 mm

### Technical specifications

Thread type	Pg
Thread length	6,5 mm
Nominal thread size	13,5
Thread increase	1,41 mm
Fibre-glass reinforced	no
Halogen-free	no
Impact-resistant	no
WAF	24
Strain relief option	yes
Clamping range, max.	13,5 mm
Clamping range, min.	10 mm