

# Technical data sheet

## Screw-in spacer clip, universal

Item number: 1383507



With M6 thread.



- St** Steel
- G** Electrogalvanized

### Master data

Item number	1383507
Type	2900 M6 61-64 G
Description 1	Distance saddle
Description 2	with threaded connection M6
Manufacturer	OBO
Dimension	61-64mm
Material	Steel
Surface	Electrogalvanized
Surface standard	EN ISO 19598 / EN ISO 4042
Smallest sales unit	20
Unit of quantity	Units
Weight	8,09 kg
Weight unit	kg/100 pairs

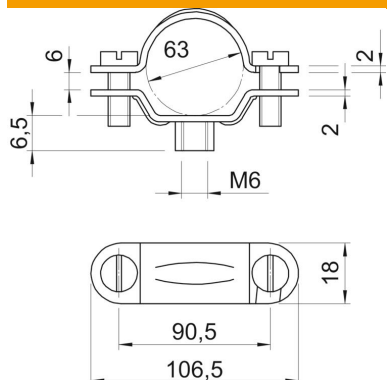
# Technical data sheet

## Screw-in spacer clip, universal

Item number: 1383507



### Dimensions



Length	106,5 mm
Width	18 mm
Dimension A	106,5 mm
Dimension B	90,5 mm
Dimension b	18 mm
Dimension D	63 mm
Dimension H	6,5 mm
Dimension L	106,5 mm
Dimension t1 (mm)	2
Dimension t2 (mm)	2
Dimension x	6 mm

### Technical specifications

Version for	Closed
Fastening type	Screw hole
Size	M63
Halogen-free	no
Plastic-covered	no
Hole size	M6 mm
Material thickness	2 mm
Bolt	M6 x 16
Clamping range D, max.	64 mm
Clamping range D, min.	61 mm
UV-resistant	yes