

Technical data sheet

Screw-in spacer clip, universal

Item number: 1383485



With M6 thread.



St Steel

G Electrogalvanized

Master data

Item number	1383485
Type	2900 M6 54-60 G
Description 1	Distance saddle
Description 2	with threaded connection M6
Manufacturer	OBO
Dimension	54-60mm
Material	Steel
Surface	Electrogalvanized
Surface standard	EN ISO 19598 / EN ISO 4042
Smallest sales unit	20
Unit of quantity	Units
Weight	8,97 kg
Weight unit	kg/100 pairs

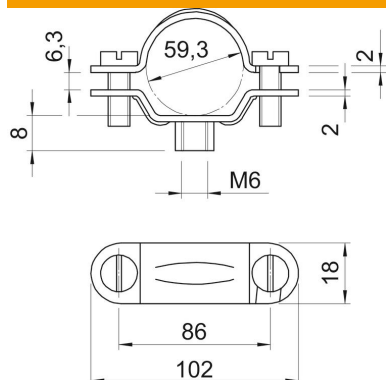
Technical data sheet

Screw-in spacer clip, universal

Item number: 1383485



Dimensions



Length	102 mm
Width	18 mm
Dimension A	102 mm
Dimension B	86 mm
Dimension b	18 mm
Dimension D	59,3 mm
Dimension d min.	59,3 mm
Dimension H	8 mm
Dimension L	102 mm
Dimension t1 (mm)	2
Dimension t2 (mm)	2
Dimension x	6,3 mm

Technical specifications

Version for	Closed
Fastening type	Screw hole
Size	Pg 48
Halogen-free	no
Plastic-covered	no
Hole size	M6 mm
Material thickness	2 mm
Bolt	M6 x 15
Clamping range D, max.	60 mm
Clamping range D, min.	54 mm
UV-resistant	yes