

Technical data sheet

Screw-in spacer clip, universal

Item number: 1383418



With M6 thread.



- St** Steel
- G** Electrogalvanized

Master data

Item number	1383418
Type	2900 M6 39-42 G
Description 1	Distance saddle
Description 2	with threaded connection M6
Manufacturer	OBO
Dimension	39-42mm
Material	Steel
Surface	Electrogalvanised
Surface standard	EN ISO 19598 / EN ISO 4042
Smallest sales unit	25
Unit of quantity	Units
Weight	5,49 kg
Weight unit	kg/100 pairs

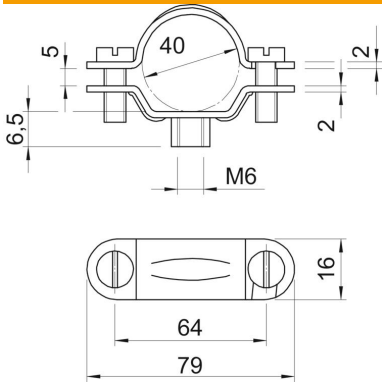
Technical data sheet

Screw-in spacer clip, universal

Item number: 1383418



Dimensions



Length	79 mm
Width	16 mm
Dimension A	79 mm
Dimension B	64 mm
Dimension b	16 mm
Dimension D	40 mm
Dimension H	6,5 mm
Dimension L	79 mm
Dimension t1 (mm)	2
Dimension t2 (mm)	2
Dimension x	5 mm

Technical specifications

Version for	Closed
Fastening type	Screw hole
Size	M40
Halogen-free	no
Plastic-covered	no
Hole size	M6 mm
Material thickness	2 mm
Bolt	M5 x 16
Clamping range D, max.	42 mm
Clamping range D, min.	39 mm
UV-resistant	yes