

# Technical data sheet

## Screw-in spacer clip, universal

Item number: 1383361



With M6 thread.



- St** Steel
- G** Electrogalvanized

### Master data

|                     |                             |
|---------------------|-----------------------------|
| Item number         | 1383361                     |
| Type                | 2900 M6 43-48 G             |
| Description 1       | Distance saddle             |
| Description 2       | with threaded connection M6 |
| Manufacturer        | OBO                         |
| Dimension           | 43-48mm                     |
| Material            | Steel                       |
| Surface             | Electrogalvanized           |
| Surface standard    | EN ISO 19598 / EN ISO 4042  |
| Smallest sales unit | 20                          |
| Unit of quantity    | Units                       |
| Weight              | 6,33 kg                     |
| Weight unit         | kg/100 pairs                |

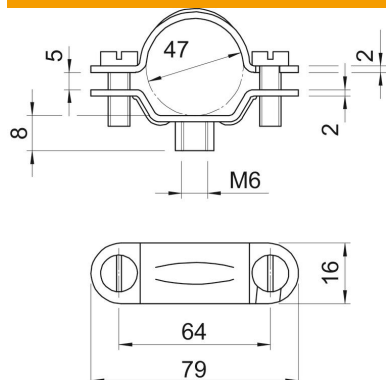
# Technical data sheet

## Screw-in spacer clip, universal

Item number: 1383361



### Dimensions



|                   |       |
|-------------------|-------|
| Length            | 79 mm |
| Width             | 16 mm |
| Dimension A       | 79 mm |
| Dimension B       | 64 mm |
| Dimension b       | 16 mm |
| Dimension D       | 47 mm |
| Dimension d min.  | 47 mm |
| Dimension H       | 8 mm  |
| Dimension L       | 79 mm |
| Dimension t1 (mm) | 2     |
| Dimension t2 (mm) | 2     |
| Dimension x       | 5 mm  |

### Technical specifications

|                        |            |
|------------------------|------------|
| Version for            | Closed     |
| Fastening type         | Screw hole |
| Size                   | Pg 36      |
| Halogen-free           | no         |
| Plastic-covered        | no         |
| Hole size              | M6 mm      |
| Material thickness     | 2 mm       |
| Bolt                   | M5 x 14    |
| Clamping range D, max. | 48 mm      |
| Clamping range D, min. | 43 mm      |
| UV-resistant           | yes        |