

# Technical data sheet

## Screw-in spacer clip, universal

Item number: 1383132



With M6 thread.



- St** Steel
- G** Electrogalvanized

### Master data

|                     |                             |
|---------------------|-----------------------------|
| Item number         | 1383132                     |
| Type                | 2900 M6 18-21 G             |
| Description 1       | Distance saddle             |
| Description 2       | with threaded connection M6 |
| Manufacturer        | OBO                         |
| Dimension           | 18-21mm                     |
| Material            | Steel                       |
| Surface             | Electrogalvanised           |
| Surface standard    | EN ISO 19598 / EN ISO 4042  |
| Smallest sales unit | 50                          |
| Unit of quantity    | Units                       |
| Weight              | 2,34 kg                     |
| Weight unit         | kg/100 pairs                |

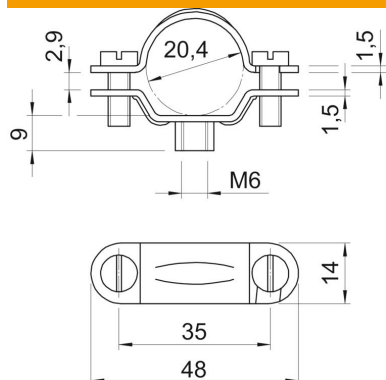
# Technical data sheet

## Screw-in spacer clip, universal

Item number: 1383132



### Dimensions



|                   |         |
|-------------------|---------|
| Length            | 48 mm   |
| Width             | 14 mm   |
| Dimension A       | 48 mm   |
| Dimension B       | 35 mm   |
| Dimension b       | 14 mm   |
| Dimension D       | 20,4 mm |
| Dimension d min.  | 20,4 mm |
| Dimension H       | 9 mm    |
| Dimension L       | 48 mm   |
| Dimension t1 (mm) | 1,5     |
| Dimension t2 (mm) | 1,5     |
| Dimension x       | 2,9 mm  |

### Technical specifications

|                        |            |
|------------------------|------------|
| Version for            | Closed     |
| Fastening type         | Screw hole |
| Size                   | M20        |
| Halogen-free           | no         |
| Plastic-covered        | no         |
| Hole size              | M6 mm      |
| Material thickness     | 1,5 mm     |
| Bolt                   | M5 x 14    |
| Clamping range D, max. | 21 mm      |
| Clamping range D, min. | 18 mm      |
| UV-resistant           | yes        |