

Technical data sheet

Screw-in spacer clip, universal

Item number: 1380028



With M6 thread.
Universal clip with large tensioning area.

- St** Steel
- G** Electrogalvanized

Master data

Item number	1380028
Description 1	Distance saddle
Description 2	with threaded connection M6
Manufacturer	OBO
Dimension	12-20mm
Material	Steel
Surface	Electrogalvanised
Surface standard	EN ISO 19598 / EN ISO 4042
Smallest sales unit	50
Unit of quantity	Units
Weight	2,3 kg
Weight unit	kg/100 pairs
CO Footprint (GWP) Cradle-to-Gate	0,066 kg COe / 1 Piece

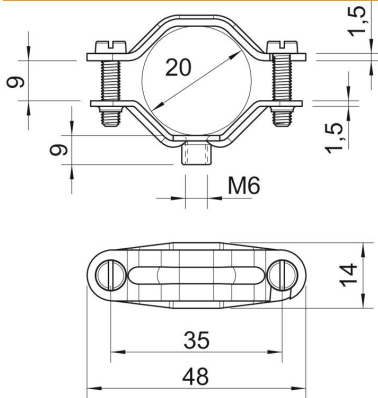
Technical data sheet

Screw-in spacer clip, universal

Item number: 1380028



Dimensions



Length	48 mm
Width	14 mm
Dimension A	48 mm
Dimension B	35 mm
Dimension b	14 mm
Dimension D	20 mm
Dimension d min.	20 mm
Dimension H	9 mm
Dimension L	48 mm
Dimension t1 (mm)	1,5
Dimension t2 (mm)	1,5
Dimension x	9 mm

Technical specifications

Version for	Closed
Fastening type	Screw hole
Suitable in fire protection area	no
Halogen-free	no
Plastic-covered	no
Hole size	M6 mm
Material thickness	1,5 mm
Bolt	M5 x 16
Clamping range D, max.	20 mm
Clamping range D, min.	12 mm
UV-resistant	yes