

Technical data sheet

Support clamp, with pipe seat at side

Item number: 1488343



Support clamp for mounting pipes. Closed pipe seat at side. Fastening through knocking onto steel girders.



St	Steel
ZL	Zinc slat

Master data

Item number	1488343
Type	SCHPC 1,5-4 D25
Description 1	Beam clamp
Description 2	with pipe clamp 20-25 mm
Manufacturer	OBO
Dimension	1,5-4mm
Material	Steel
Surface	Zinc slat
Surface standard	
Smallest sales unit	50
Unit of quantity	Piece
Weight	3.2 kg
Weight unit	kg/100 pc.

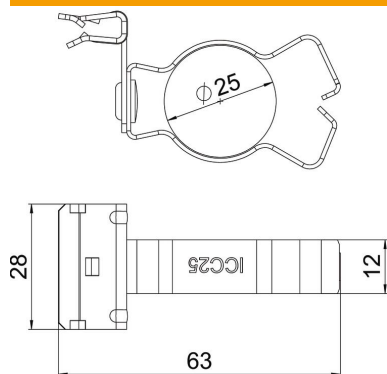
Technical data sheet

Support clamp, with pipe seat at side

Item number: 1488343



Dimensions



Length	63 mm
Width	28 mm
Height	36 mm
Dimension L	63 mm
Maß W	28 mm

Technical data

Connection type/component	Pipe/cable
Fastening type	Clamp
Flange thickness F max.	4 mm
Flange thickness F min.	1.5 mm
Pipe/cable diameter, max.	25 mm
Pipe/cable diameter, min.	20 mm
Hinge, adjustable	no
Hinged	no