

# Technical data sheet

## Suspension bracket, tunnel

Item number: 6419679



Suspension bracket for wall mounting of cable trays, mesh cable trays and cable ladders specifically for tunnel construction. Tested to DIN 4102-12.



A5 Stainless steel

### Master data

Item number	6419679
Type	AHW-T 200 VA4547
Description 1	Suspension angle
Description 2	for tunnel construction
Manufacturer	OBO
Dimension	B210mm
Material	Stainless steel
Smallest sales unit	1
Unit of quantity	Piece
Weight	44.64 kg
Weight unit	kg/100 pc.

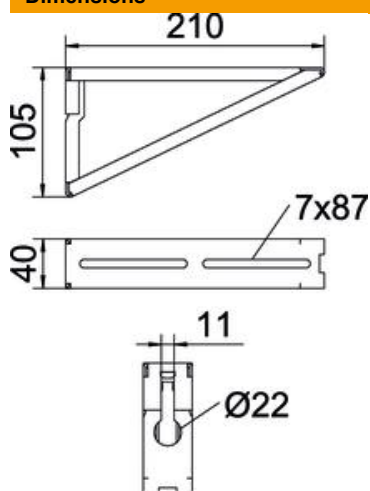
# Technical data sheet

## Suspension bracket, tunnel

Item number: 6419679



### Dimensions



Width	210 mm
Height	105 mm
Dimension A	40 mm
Dimension B	210 mm
Dimension H	105 mm

### Technical data

Maintain electrical functions	yes
Suitable for mesh cable tray	yes
Suitable for cable ladder	yes
Suitable for cable tray	yes